

# CS Wall-Mounted Sheet Steel Enclosures with Mounting Plate



## Product Information

CS Wall-mounted Sheet Steel Enclosures with Mounting Plate

Accessories



PT. BERKAH CIPTA PERSADA

PT. Berkah Cipta Persada  
Kota Deltamas - Kawasan Industri Greenland  
Jl. Greenland IV Blok AC No. 07 Cikarang Pusat  
Bekasi - Indonesia 17530



# CS Wall-Mounted Sheet Steel Enclosures

## Technical features at a glance

Available in 45 sizes ...  
from 250x200x150 mm to 1200x1200x250 mm

The stable CS enclosures series made of solid sheet steel is ideal wherever an effective protection against direct contact with live parts is required. The high degree of protection (IP65) not only provides full protection against most adverse environmental conditions, but also protects the systems and equipment inside the enclosures against their harmful consequences.

Tightness is guaranteed through a continuously foamed polyurethane sealing. An all-around rainwater drain profile prevents liquids (such as water or oil) and dirt from penetrating when opening the door.

Shock resistance rating is IK09 according to EN 62262, hence the inside equipment of the enclosures is also protected against mechanical impacts. CS enclosures can be installed as wall-mounted enclosures. A rough-type paint applied in the powder-coating method provides for non-abrasive corrosion protection.

The door of the enclosure is easy to remove in case any further mechanical work needs to be carried out. Concealed inside hinges according quick-change technology are easy to remove for this purpose and provide for quick and easy reversal of the hinging from left to right and vice-versa.

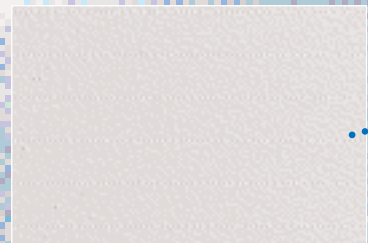
wa\_vt00309



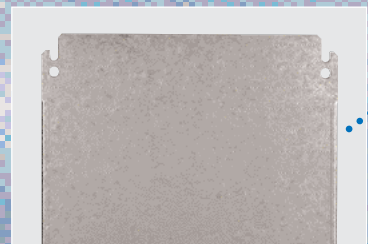
- **Rainwater drain profile**  
Prevents liquids (such as water or oil) and dirt from penetrating when opening the door.



- **RAL7035**  
Surface and corrosion protection through a rough-type powder-coating inside and out, RAL 7035.



- **Mounting plate**  
Galvanized sheet steel 2 - 3 mm thick for safe installation of switchgear and basic EMC protection.



- **Flange plate**  
With coextruded seal, sheet steel for own production. The enclosure can be turned by 180° for cable insertion at the top or bottom.



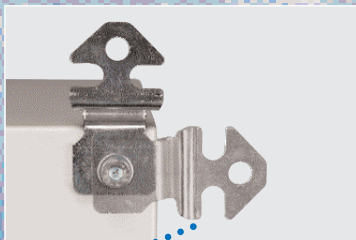
- **Stable design of the enclosures**

Made of high-grade sheet steel.  
Protection against mechanical impact.



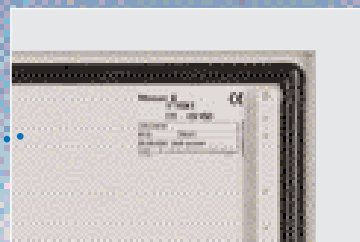
- **Wall-mounting brackets**

For fixing the enclosures on the wall. Mounting in horizontal and vertical direction possible.



- **Foamed sealing**

Guarantees absolute tightness. IP65 is guaranteed for the entire series.



- **Standardized locking system**

with twist lock.  
For use with standardized locks.



- **Door-hinging**

Optionally left or right-hinged on either 2 or 3 inside hinges.



- **Hinge bolt with quick-change technology**

For quick and easy removal of the door in case of further work to be carried out.



# Ordering data

- Customized solutions upon request:
- Different RAL colours
  - Cut-outs and holes according to customer specifications
  - Sizes other than those between CS-2520/150 and CS-1212/250

## CS Wall-Mounted Sheet Steel Enclosures with Mounting Plate

Illustration	Dimensions [mm]			Number of doors	Number of locks	Number of hinges	Door-Profiles Number
	Height A	Width B	Depth C				
	250	200	150	1	1	2	1
	300	200	150	1	1	2	1
	300	300	150	1	1	2	2
	300	300	200	1	1	2	2
	300	400	200	1	1	2	2
	400	300	150	1	1	2	2
	400	300	200	1	1	2	2
	400	400	150	1	1	2	2
	400	400	200	1	1	2	2
	400	600	200	1	1	2	2
	400	600	250	1	1	2	2
	400	600	300	1	1	2	2
	500	400	150	1	2	2	2
	500	400	200	1	2	2	2
	500	400	250	1	2	2	2
	500	500	250	1	2	2	2
	600	400	150	1	2	2	2
	600	400	200	1	2	2	2
	600	400	250	1	2	2	2
	600	500	150	1	2	2	2
	600	500	200	1	2	2	2
	600	500	250	1	2	2	2
	600	600	200	1	2	2	2
	600	600	250	1	2	2	2
	600	600	300	1	2	2	2
	600	800	300	1	2	2	2
	700	500	200	1	2	2	2
	700	500	250	1	2	2	2
	800	400	200	1	2	3	2
	800	400	250	1	2	3	2
800	600	200	1	2	3	2	
800	600	250	1	2	3	2	
800	600	300	1	2	3	2	
800	800	200	1	2	3	2	
800	800	300	1	2	3	2	
800	1000	300	1	2	3	2	
	1000	600	250	1	3P	3	2
	1000	600	300	1	3P	3	2
	1000	800	250	1	3P	3	2
	1000	800	300	1	3P	3	2
	1000	1000	300	1	3P	3	2
	1200	600	250	1	3P	3	2
	1200	800	300	1	3P	3	2
	1200	1000	300	1	3P	3	2
	1200	1200	250	1	3P	3	2

3P: 3-Point-Locking-System

Flange plates		max. F3A	Dimensions [mm] of mounting plate	Weight [kg] incl. mounting plate	Code	Article No.	Units per Package
Number	t1 x t2 [mm]						
1	112 x 182	0	220 x 150	3.4	CS-2520/150	111646	1
1	112 x 182	0	270 x 150	3.9	CS-32/150	111647	1
1	112 x 232	0	270 x 250	5.2	CS-33/150	111648	1
1	172 x 262	1	270 x 250	6.1	CS-33/200	111649	1
1	172 x 332	1	250 x 370	7.4	CS-34/200	111680	1
1	112 x 232	0	370 x 250	6.6	CS-43/150	111681	1
1	172 x 262	1	370 x 250	7.6	CS-43/200	111682	1
1	112 x 332	0	370 x 350	8.7	CS-44/150	111683	1
1	172 x 332	1	370 x 350	9.7	CS-44/200	111684	1
1	172 x 532	2	350 x 570	13.4	CS-46/200	111685	1
1	172 x 532	2	350 x 570	14.3	CS-46/250	111686	1
1	172 x 532	2	350 x 570	15.7	CS-46/300	111687	1
1	112 x 332	0	470 x 350	10.1	CS-54/150	111688	1
1	172 x 332	1	470 x 350	10.9	CS-54/200	111689	1
1	172 x 332	1	470 x 350	11.9	CS-54/250	111690	1
1	172 x 432	1	470 x 450	14.5	CS-55/250	111691	1
1	112 x 332	0	570 x 350	12.4	CS-64/150	111692	1
1	172 x 332	1	570 x 350	13.2	CS-64/200	111693	1
1	172 x 332	1	570 x 350	14.5	CS-64/250	111694	1
1	112 x 332	0	570 x 450	15.4	CS-65/150	111695	1
1	172 x 432	1	570 x 450	16.8	CS-65/200	111696	1
1	172 x 432	1	570 x 450	17.1	CS-65/250	111697	1
1	172 x 532	2	570 x 550	21.8	CS-66/200	111698	1
1	172 x 532	2	570 x 550	23.1	CS-66/250	111699	1
1	172 x 532	2	570 x 550	24.5	CS-66/300	111700	1
1	172 x 732	3	550 x 770	34.8	CS-68/300	111701	1
1	172 x 432	1	670 x 450	21.1	CS-75/200	111702	1
1	172 x 432	1	670 x 450	21.6	CS-75/250	111703	1
1	172 x 332	1	770 x 350	21.7	CS-84/200	111704	1
1	172 x 332	1	770 x 350	23.2	CS-84/250	111705	1
1	172 x 532	2	770 x 550	30.2	CS-86/200	111706	1
1	172 x 532	2	770 x 550	32.8	CS-86/250	111707	1
1	172 x 532	2	770 x 550	34.9	CS-86/300	111708	1
1	172 x 732	3	770 x 750	39.0	CS-88/200	111709	1
1	172 x 732	3	770 x 750	42.8	CS-88/300	111710	1
1	172 x 932	3	750 x 970	54.2	CS-810/300	111711	1
1	172 x 532	2	970 x 550	43.3	CS-106/250	111712	1
1	172 x 532	2	970 x 550	45.4	CS-106/300	111713	1
1	172 x 732	3	970 x 750	55.5	CS-108/250	111714	1
1	172 x 732	3	970 x 750	56.1	CS-108/300	111715	1
1	172 x 932	3	970 x 950	68.0	CS-1010/300	111716	1
1	172 x 532	2	1170 x 550	50.2	CS-126/250	111717	1
1	172 x 732	3	1170 x 750	67.7	CS-128/300	111718	1
1	172 x 932	3	1170 x 950	83.2	CS-1210/300	111719	1
2	2x 172x532	4	1170 x 1150	94.2	CS-1212/250	111720	1

# Technical Specifications

## CS Wall-Mounted Sheet Steel Enclosures with Mounting Plate



Degree of protection	IP65 IK09
Standards	IEC/EN 60529 IEC 62262, IEC/EN 62208
Marking	CE

### Scope of delivery

- Mounting plate incl. fastening material
- Flange blind plate with mounting accessories
- Sealing plugs to be used for closing holes
- Fastening material for earth conductor connection
- 1 key

### Design

#### *Base body of the enclosure*

Stable design of the enclosures thanks to sheet steel of 1.2 mm thickness and 1.5 mm as of enclosure width 600 and 2.0 mm as of 1000x600 enclosure.

Bent and seam-welded. The rear panel features holes of 10 mm diameter for wall-mounting.

#### *Door*

Sheet steel of 1.2 mm thickness or 1.5 mm as of enclosure size 400x400. Door is right-hinged and offers an opening angle of 120°. Thanks to easy-to-remove hinges it can optionally be left or right-hinged. The hinges are concealed inside the enclosure. Tightness is guaranteed through a continuously foamed polyurethane sealing. Door profile with perforations every 25 mm standard for all enclosure sizes.

#### *Mounting plate*

2.0 mm galvanized sheet steel, 3.00 mm as of enclosure size 800x400. Distance to the rear wall 20 mm. The mounting plate can be mounted from inside, on M8 threaded copper welding pins at the rear of the enclosures. The mounting plate is thus automatically connected with the corpus electrically. A protective grounding connection is additionally not necessary.

#### *Lock*

Polyamide twist lock with protective insulation. Standard locking with a 3 mm two-way key bit. One lock up to a height of 400 mm, two locks as of a height of 500 mm. At a height of 1000 mm with 3-Point-Locking-System.

#### *Flange plate opening*

Positioned in the rear area of the enclosures for easy wiring on the mounting plate.




#### *Surface*

Base body and door in light-grey, RAL7035, rough-type polyester powder-coating.

### General Information

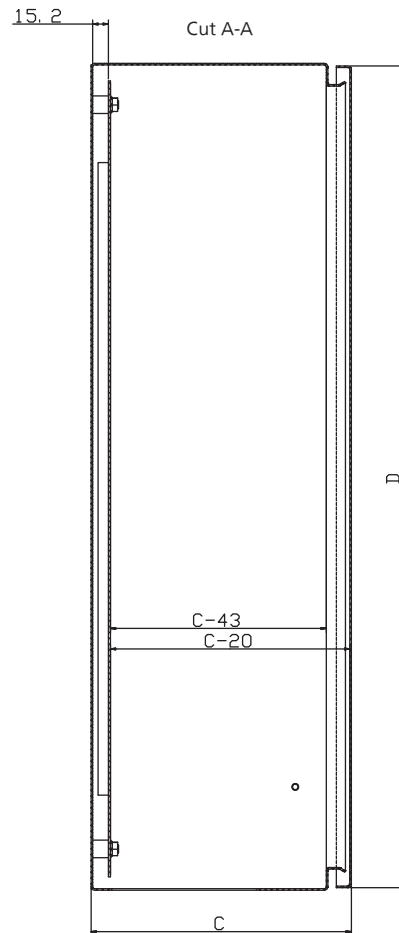
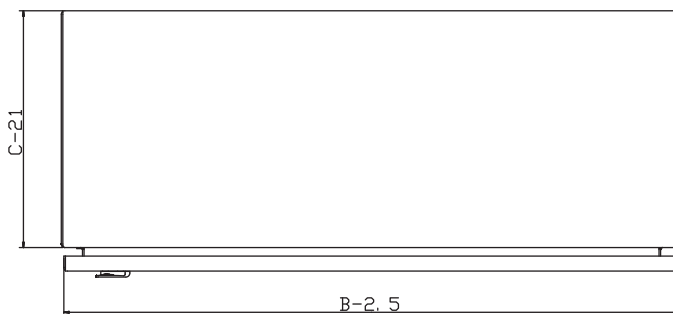
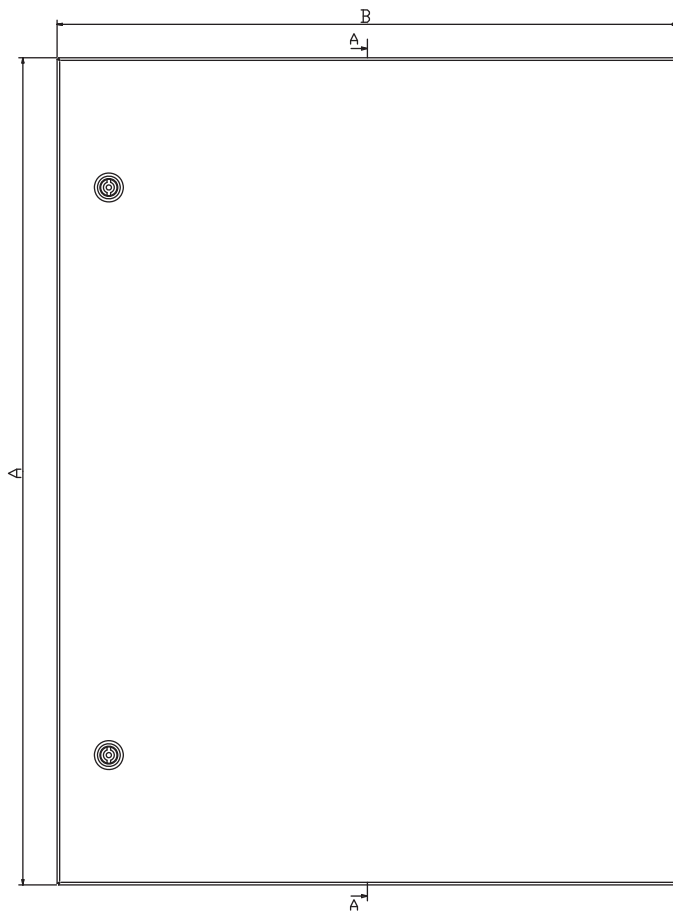
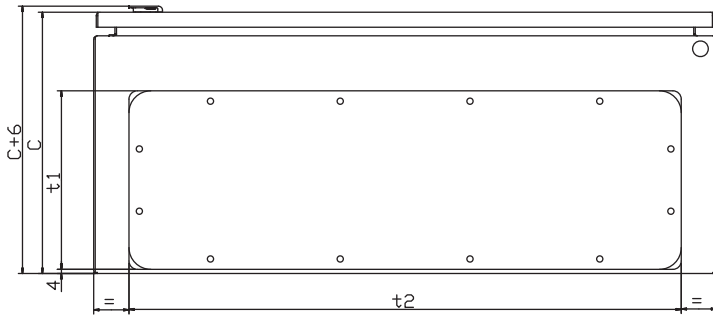
Resistance to climatic influences	Constant, moist heat in compliance with IEC 60068-2-78, cyclical in compliance with IEC 60068-2-30
Ambient temperature	-40°C / +70°C
Load of wall-mounting	490 kg with vertically and horizontally fixed mounting angles, symmetrical load
Material plastic	free from halogen
Resistance of plastics to glow wire	650°C
Intended location	outdoor and indoor

### Maximum assembly weight

	Max. kg Enclosure	Max. kg Mounting Plate	Max. kg Door
			
CS-2520/150	150	125	25
CS-32/150	150	125	25
CS-33/150	150	125	25
CS-33/200	150	125	25
CS-34/200	175	150	25
CS-43/150	175	150	25
CS-43/200	175	150	25
CS-44/150	225	200	25
CS-44/200	225	200	25
CS-46/200	225	200	25
CS-46/250	225	200	25
CS-46/300	225	200	25
CS-54/150	225	200	25
CS-54/200	225	200	25
CS-54/250	225	200	25
CS-55/250	225	200	25
CS-64/150	225	200	25
CS-64/200	225	200	25
CS-64/250	225	200	25
CS-65/150	275	250	25
CS-65/200	275	250	25
CS-65/250	275	250	25
CS-66/200	275	250	25
CS-66/250	275	250	25
CS-66/300	275	250	25
CS-68/300	275	250	25
CS-75/200	275	250	25
CS-75/250	275	250	25
CS-84/200	325	300	25
CS-84/250	325	300	25
CS-86/200	325	300	25
CS-86/250	325	300	25
CS-86/300	325	300	25
CS-88/200	325	300	25
CS-88/300	325	300	25
CS-810/300	390	350	40
CS-106/250	390	350	40
CS-106/300	390	350	40
CS-108/250	390	350	40
CS-108/300	390	350	40
CS-1010/300	390	350	40
CS-126/250	390	350	40
CS-128/300	390	350	40
CS-1210/300	390	350	40
CS-1212/250	390	350	40

# Dimensions

## Enclosure with door and flanges

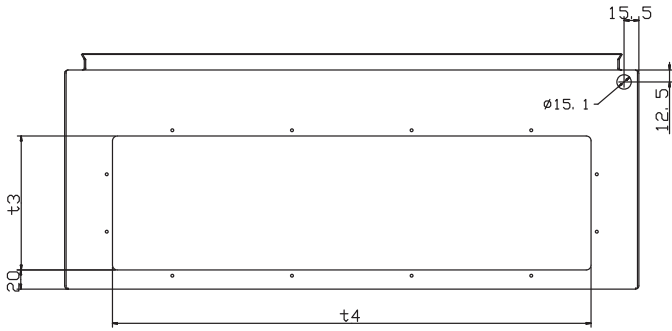


$$D = A - 2\text{mm}$$

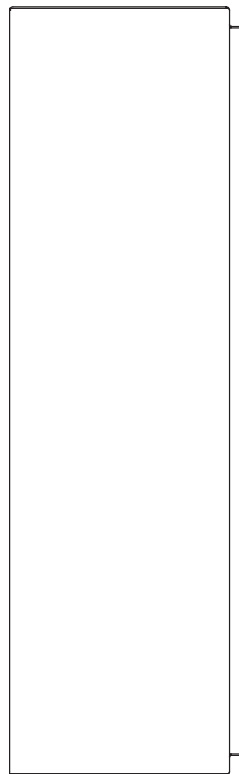
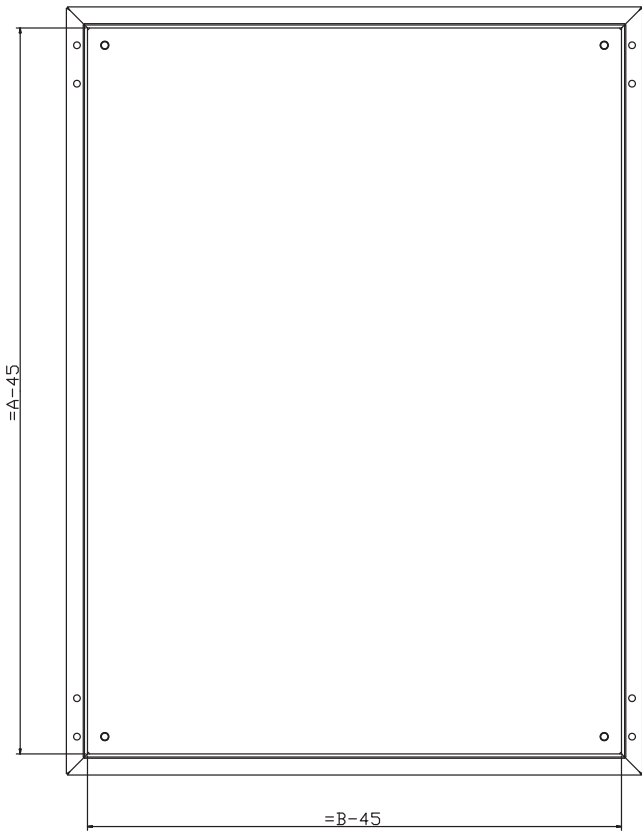
Note:  
Please refer to selection pages 4/5 for A, B, C, t1, t2 values



Enclosure without door, without flanges

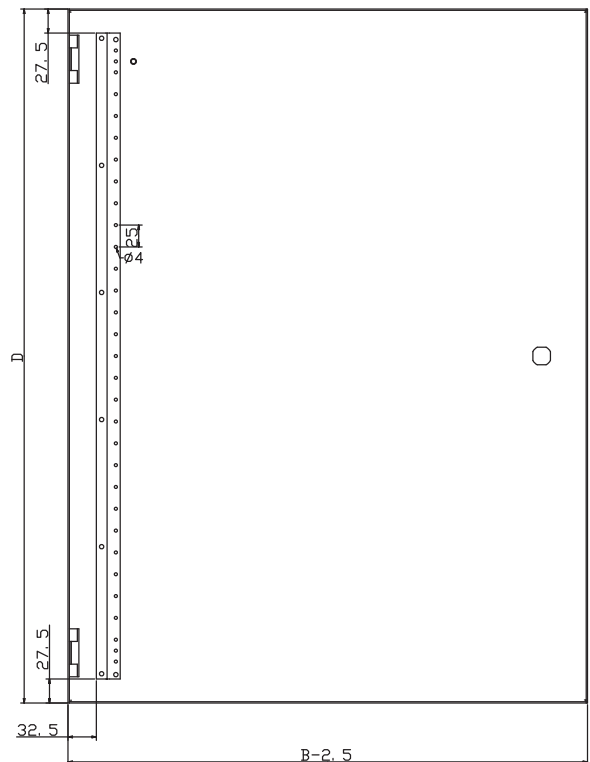
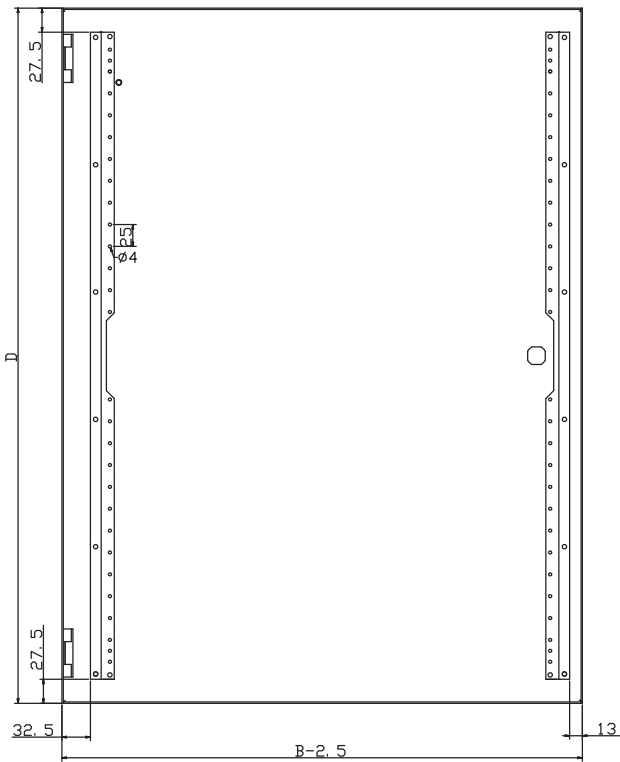
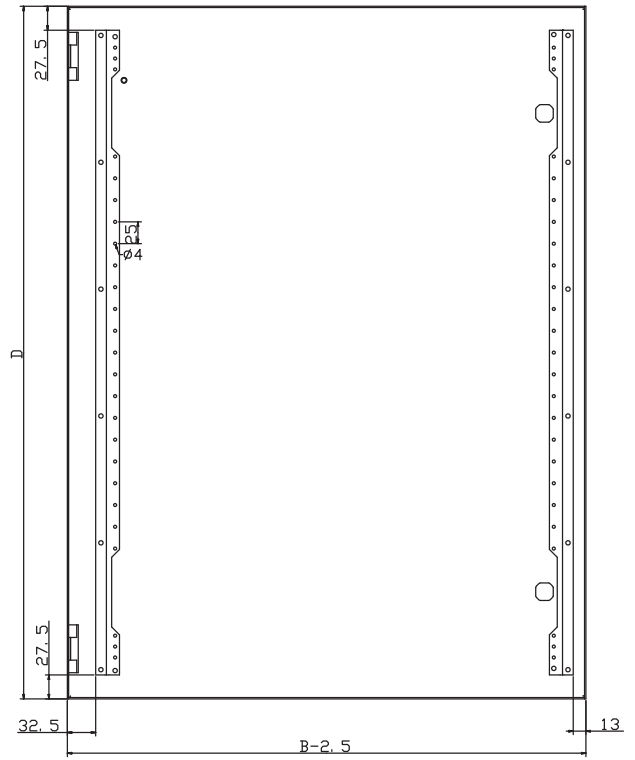
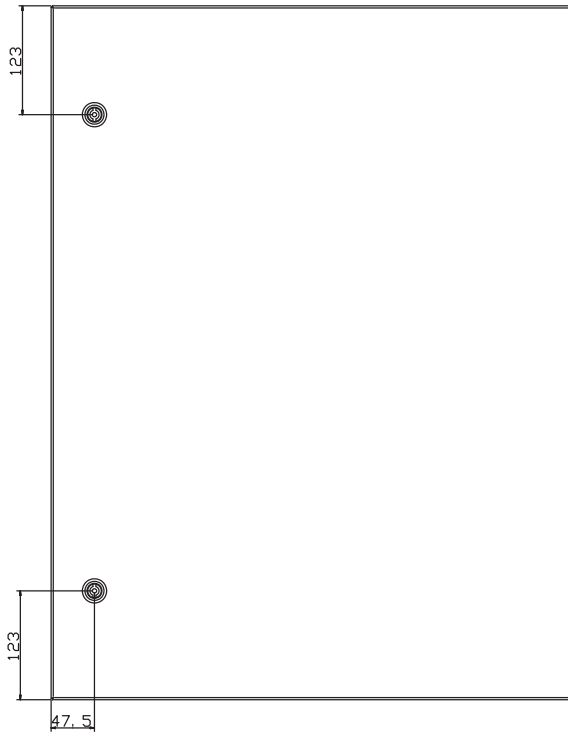


$t3 = t1 - 32\text{mm}$   
 $t4 = t2 - 32\text{mm}$



# Dimensions

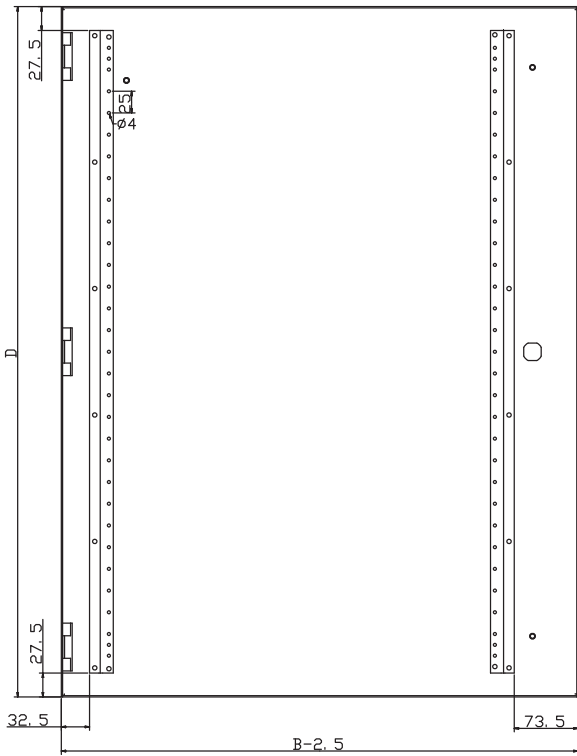
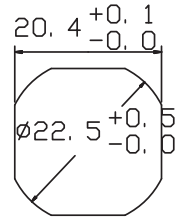
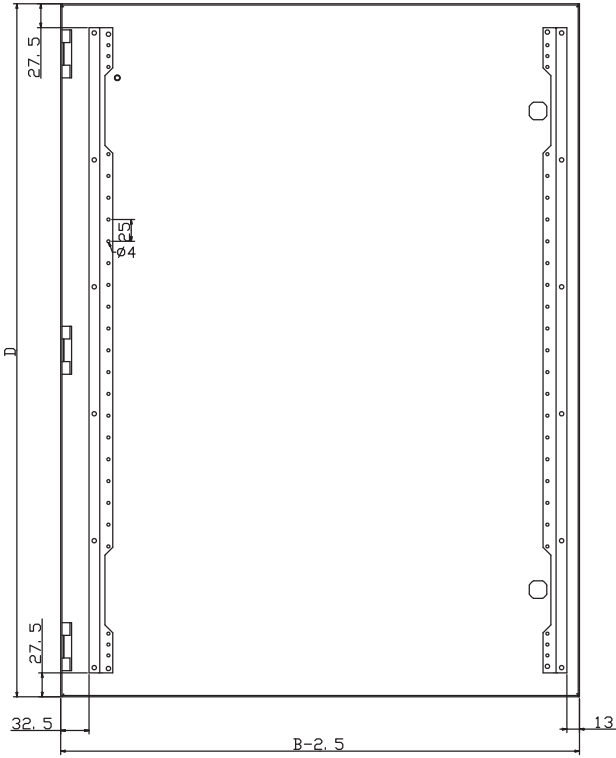
## Doors



$D = A - 2\text{mm}$

Note:  
Please refer to selection pages 4/5 for A, B, C values

Mounting opening - Lock

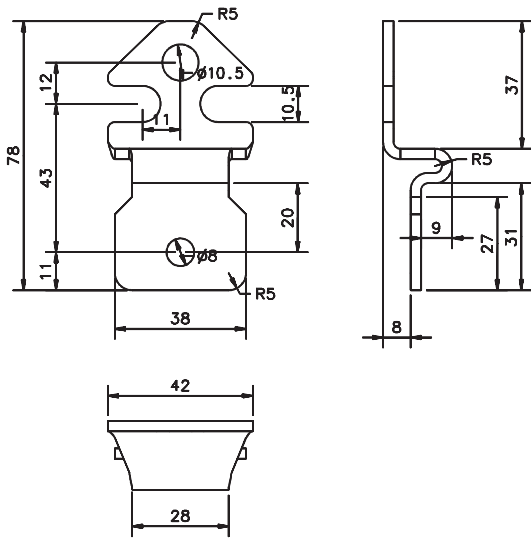


$D = A - 2\text{mm}$

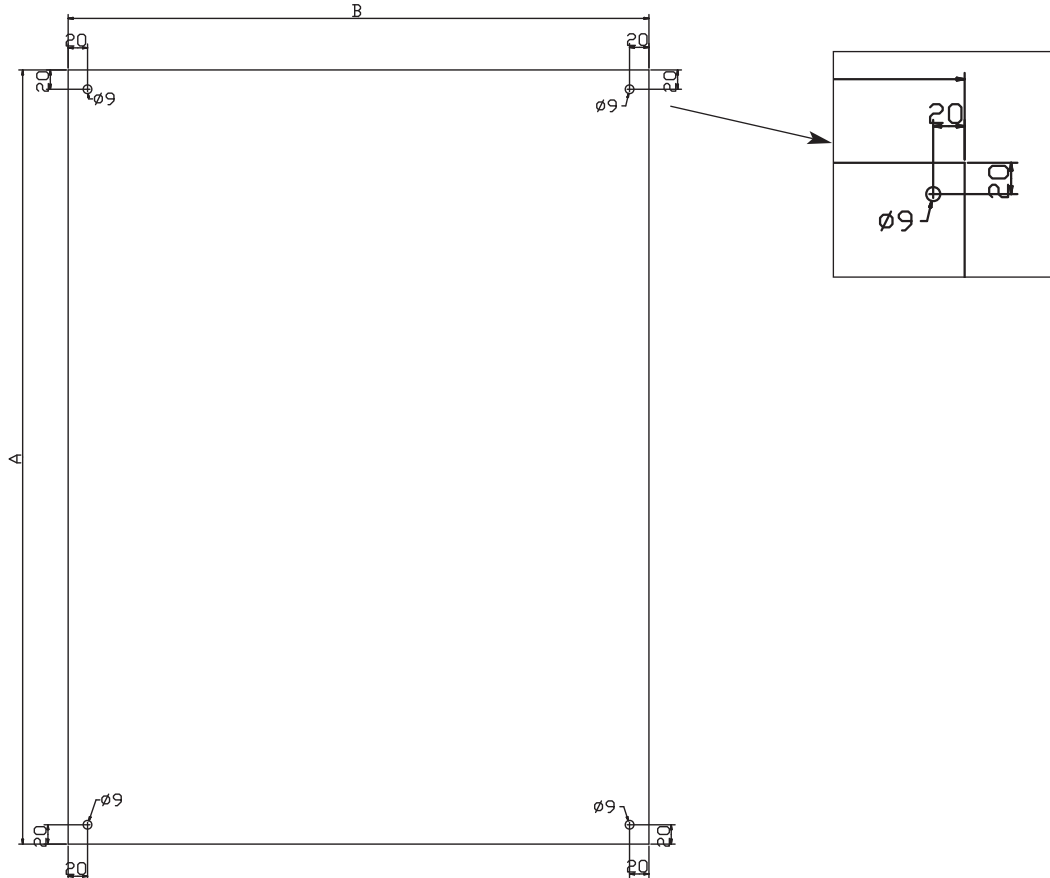
# Dimensions

## Wall-mounting bracket

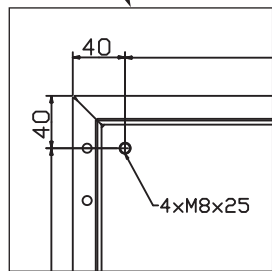
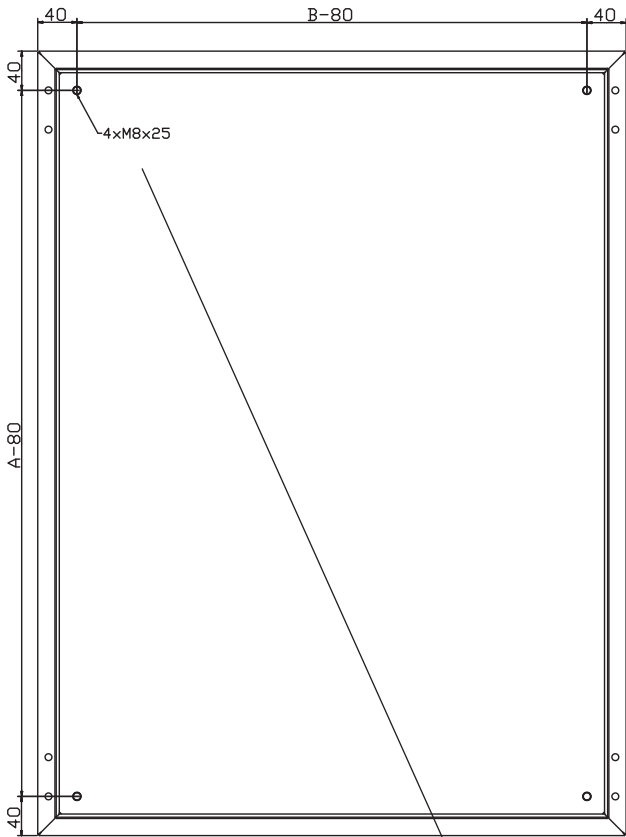
WFB-SET-CS



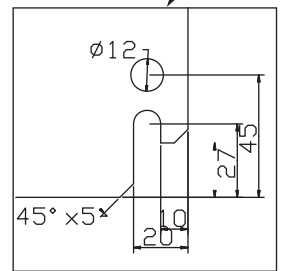
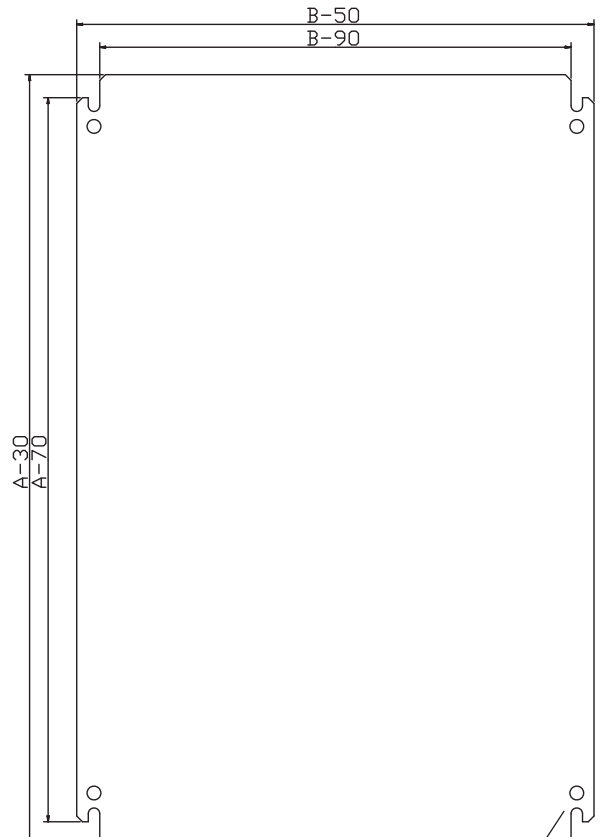
## Wall mounting holes



### Position of screw pins



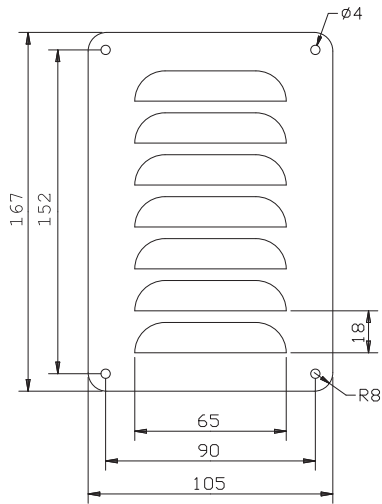
### Mounting plate



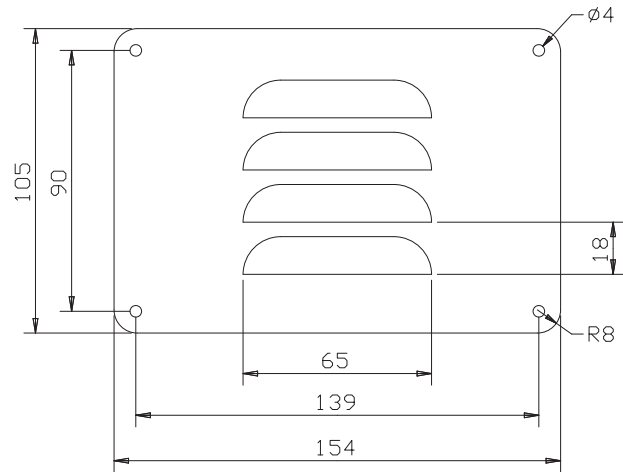
Note:  
Please refer to selection pages 4/5 for A, B, C values

# Dimensions

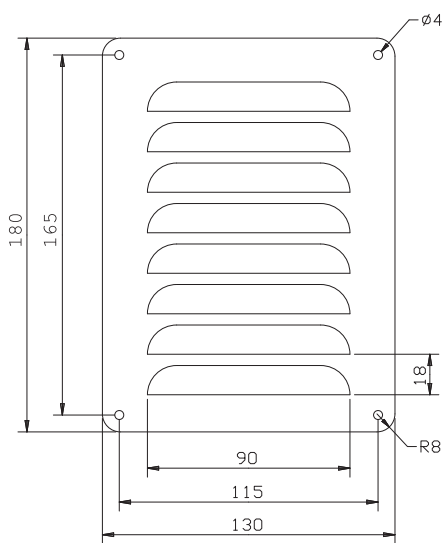
## Ventilation louvers



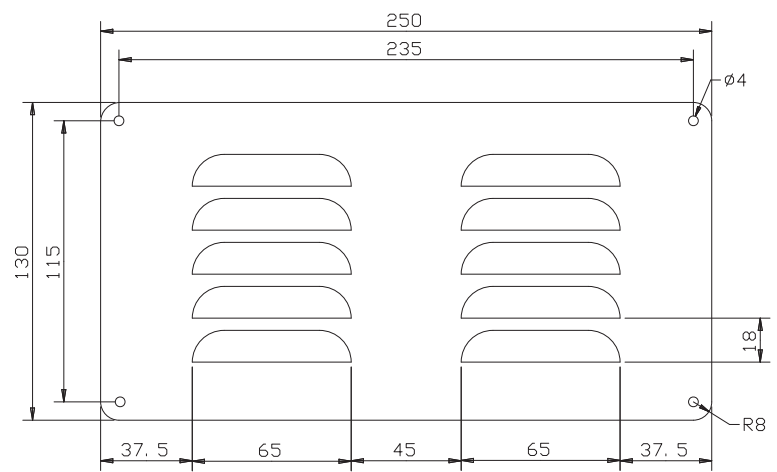
LVP-20V12-CS



LVP-20H12-CS

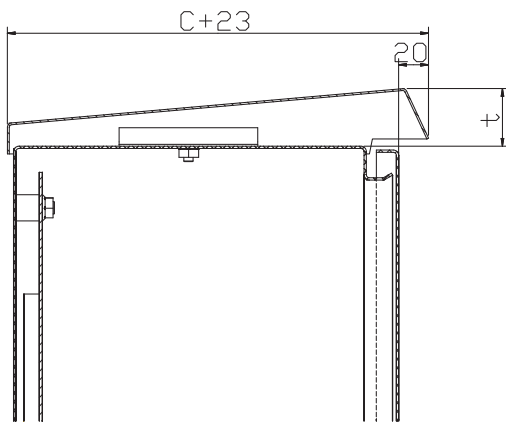


LVP-30V15-CS



LVP-30H15-CS

## Canopy

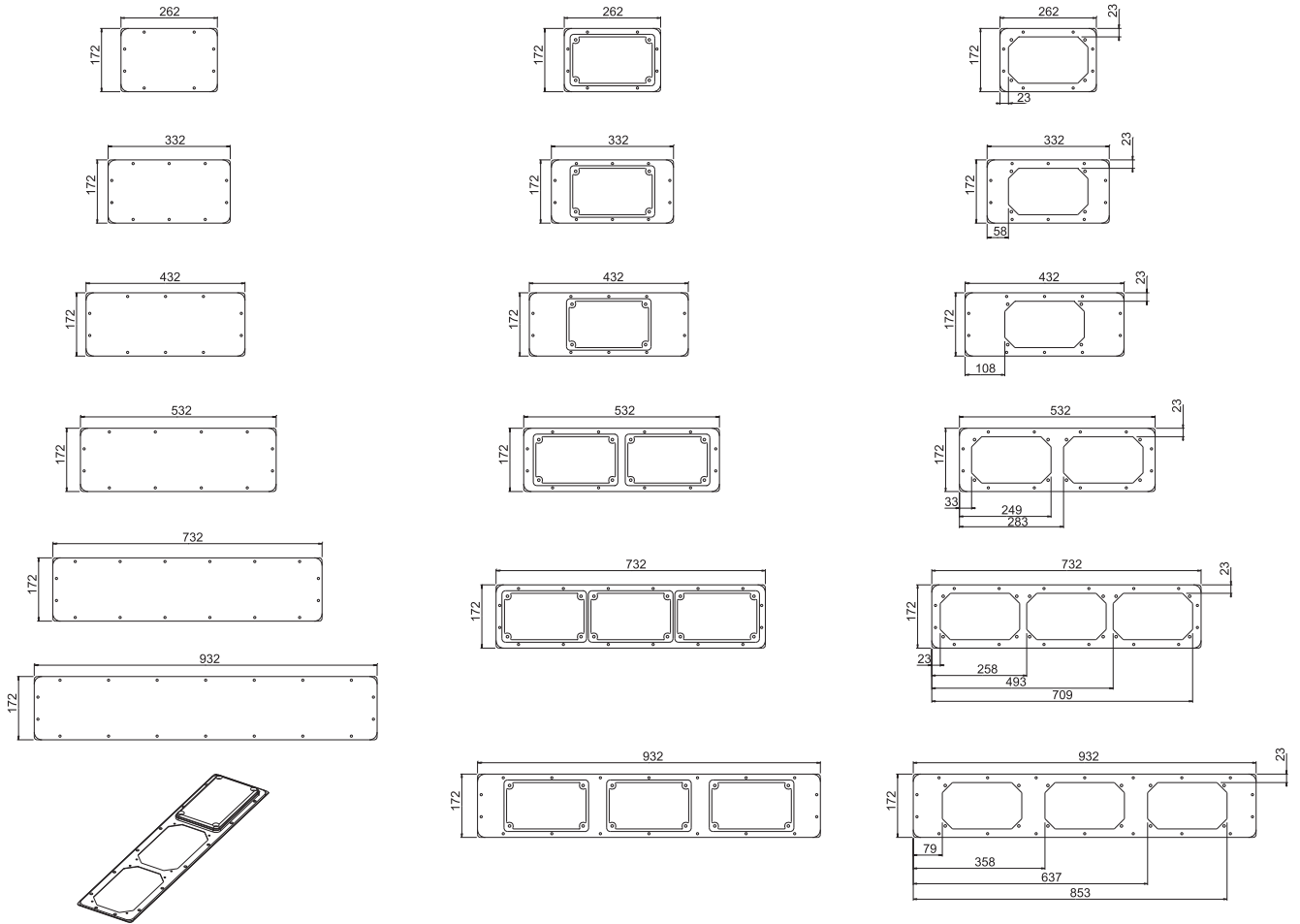


Type	t (mm)
CNP-2/150-CS	30
CNP-3/150-CS	30
CNP-3/200-CS	34
CNP-4/150-CS	30
CNP-4/200-CS	34
CNP-4/250-CS	38
CNP-5/150-CS	30
CNP-5/200-CS	34
CNP-5/250-CS	38
CNP-6/200-CS	34
CNP-6/250-CS	38
CNP-6/300-CS	42
CNP-8/200-CS	34
CNP-8/250-CS	38
CNP-8/300-CS	42
CNP-10/300-CS	42
CNP-12/250-CS	38

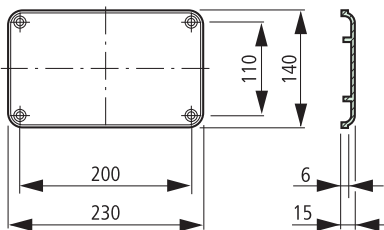
Note:  
Please refer to selection pages 4/5 for A, B, C values

# Dimensions

## Flange plates steel sheet (with F3A flange openings)



## Flange plastic F3A-



## Opening of Flange

